



Impact Block



Features and benefits:

- Rounded edges to cheek plates maintain low rope abrasion when rope is fed 'unfair'
- Upper sheave opens via a threaded locking axle for added security
- Thrust surfaces increase tolerance to external loading of spindle and anchor pin
- Lightweight attachment sling facilitates hauling of block, sling and rope to the climber and helps with handling, in tree stowage and workshop storage
- Direct connection to cordage, the anchor slings helps ensure correct neighbour component compatibility
- 100m or 328ft Bluetooth range range enabling operator to stand at safe distance
- No easily broken external antennae
- High waterproof resistance to IP67 or NEMA6 for all weather use
- Massive battery life of 1200 hrs operational time
- Handheld display or data logging software options for all applications

- Supplied with a free HHP App for iOS and Android

The safest choice for the working Arborist. Manufactured in partnership with DMM, the Impact Block has been designed to deliver the best performance in terms of alignment, resistance and appeal.

The aesthetic curves of the Impact Block combine beauty, strength and durability to ensure a rope-friendly surface.

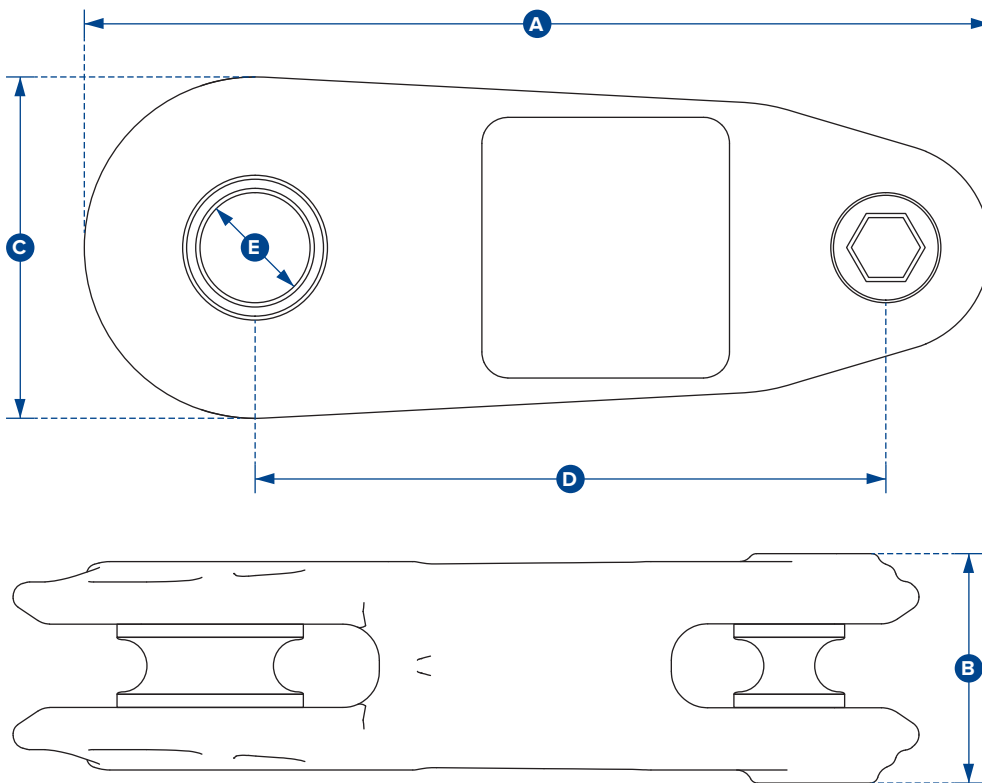
Coupled with wireless dynamic load monitoring electronics, and strain gauge technology from Straightpoint, it provides real-time data to either the handheld controller, or logging via their INSIGHT software to a tablet or laptop. It is easy to see why this is one of the most sought-after products in the industry.

During development, the Straightpoint Impact Block has gone through a thorough dynamic and static validation testing regime.

The end result is a highly functional product with an impressive strength to weight ratio.

Applications:

- Tree care – dismantling ops and speed lines
- Forestry
- Winching operations
- Rescue
- Rigging
- Entertainment industry



Part Numbers	
SP	WIB6T
Crosby	2789150
Capacity	60kN
Resolution	0.1kN
Units	kN
Weight	6kg
	13.2lb
Safety Factor	5:1
Battery Type	4 x AA Alkaline
Battery Life	1200 hours continuous (500hrs if Bluetooth)
Operating Temp	-10°C to +50°C or 14°F to 122°F
Accuracy	±0.1% of full scale
Frequency	2.4 GHz
System Range	100 metres or 328 feet
Data Rate	50Hz - up to 200Hz can be ordered for dynamic load monitoring applications
Protection	IP67 or NEMA6
Max Rope Ø	20mm
	0.75"
Dimension A	348
	13.7"
Dimension B	89
	3.5"
Dimension C	131
	5.16"
Dimension D	242
	9.53"
Dimension ØE	27
	1.06"