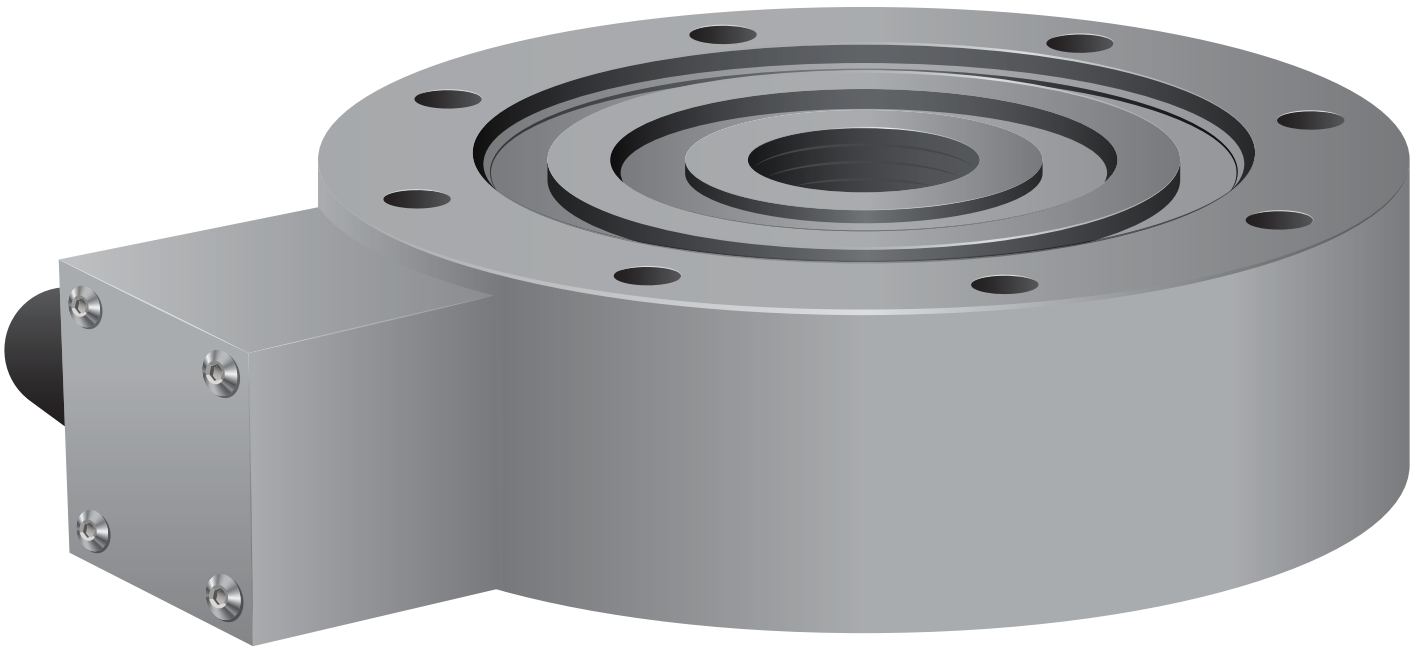


Pancake Load Cell



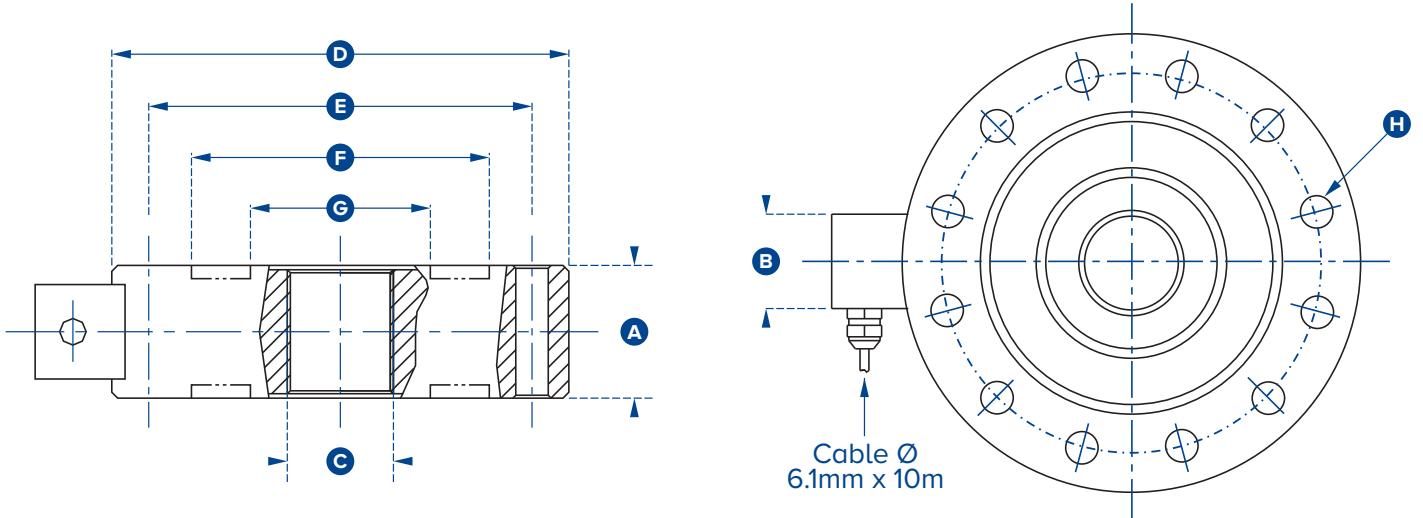
The SP pancake loadcell range provides a comprehensive force measurement solution for static and dynamic forces. It is ideal for a range of structural and industrial applications where space may be limited.

Constructed from nickel plated alloy steel it is manufactured with tapped holes allowing it to become an integral part of the structure they are load monitoring.

Frequently used for applications such as bolt tension monitoring, SPMT module weighing and OEM applications the SP pancake loadcell has rated capacities covering 1t to 300t with a safe overload of 150% and an ultimate strength of 300%.

Features and benefits:

- Material: Alloy steel
- Rated capacities:
1t, 2t, 3t, 5t, 10t, 20t, 30t, 50t,
100t, 150t, 200t, 300t
- Full scale output: 2.0mV/V \pm 1%
- Safe overload: 150%
- Breaking overload: 300%
- IP Rating: IP67 / NEMA 6
- Low profile



| Part Number | 363YH-1t | 363YH-2t | 363YH-3t | 363YH-5t | 363YH-10t | 363YH-20t | 363YH-30t | 363YH-50t | 363YH-100t | 363YH-150t | 363YH-200t | 363YH-300t |
|-----------------------------|---|----------------|----------------|----------------|-----------------|-----------------|------------------|----------------|-----------------|-----------------|-----------------|-------------------|
| Approximate Shipping Weight | 2.8kg 6.2lb | 2.8kg 6.2lb | 2.8kg 6.2lb | 2.8kg 6.2lb | 5.5kg 12.1lb | 5.5kg 12.1lb | 12.4kg 27.3lb | 16.8kg 37lb | 40.6kg 6.2lb | 51kg 112.4lb | 51kg 112.4lb | 97.2kg 214.3lb |
| Full Scale Output | 2.0 mV/V ± 1% | | | | | | | | | | | |
| Zero Balance | < ± 0.02 mV/V | | | | | | | | | | | |
| Non-linearity | Cap. ≤ 5t: < ± 0.050%; Cap. ≥ 10t: < ± 0.30% | | | | | | | | | | | |
| Repeatability | Cap. ≤ 5t: < ± 0.030%; Cap. ≥ 10t: < ± 0.20% | | | | | | | | | | | |
| Hysteresis Error | Cap. ≤ 5t: < ± 0.050%; Cap. ≥ 10t: < ± 0.30% | | | | | | | | | | | |
| Creep in 30 min. | Cap. ≤ 5t: < ± 0.050%; Cap. ≥ 10t: < ± 0.10% | | | | | | | | | | | |
| Input Resistance | 770Ω ± 30 | | | | | | | | | | | |
| Output Resistance | 770Ω ± 5 | | | | | | | | | | | |
| Element Material | Alloy Steel, Nickel Plated | | | | | | | | | | | |
| Rec. Excitation | 10V (15V Maximum) | | | | | | | | | | | |
| Insulation Resist. | >2 [50V DC] G Ω | | | | | | | | | | | |
| Comp. Temp. Range | -10°C to +50°C / +14°F to 122°F | | | | | | | | | | | |
| Safe Overload | 150% of full scale | | | | | | | | | | | |
| Breaking Overload | 300% of full scale | | | | | | | | | | | |
| Seal Type / IP Rating | Welded Seal / IP67 | | | | | | | | | | | |
| Cable Colour Code | Exc+ Red, Exc- Black, Sig+ Green, Sig- White, Shield Bare | | | | | | | | | | | |

| Rated Capacity | 1t - 5t | 10t - 20t | 30t | 50t | 100t | 150t - 200t | 300t |
|----------------|---------|-----------|---------|---------|---------|-------------|----------|
| Dimension A | 35 | 45 | 58 | 64 | 90 | 120 | 180 |
| | 1.38" | 1.77" | 2.28" | 2.52" | 3.54" | 4.72" | 7.09" |
| Dimension B | 32 | 32 | 32 | 32 | 48 | 48 | 48 |
| | 1.26" | 1.26" | 1.26" | 1.26" | 1.89" | 1.89" | 1.89" |
| Dimension C | M24 x 2 | M36 x 2 | M42 x 2 | M42 x 2 | M70 x 3 | M90 x 3 | M120 x 3 |
| | M24 x 2 | M36 x 2 | M42 x 2 | M42 x 2 | M70 x 3 | M90 x 3 | M120 x 3 |
| Dimension D | 113 | 155 | 180 | 205 | 280 | 296 | 346 |
| | 4.45" | 6.10" | 7.09" | 8.07" | 11.02" | 11.65" | 13.62" |
| Dimension E | 97 | 130 | 150 | 165 | 228 | 256 | 282 |
| | 3.82" | 5.12" | 5.91" | 6.50" | 8.98" | 10.08" | 11.10" |
| Dimension F | 81 | 106 | 125 | 125 | 182 | 223 | 242 |
| | 3.19" | 4.17" | 4.92" | 4.92" | 7.17" | 8.78" | 9.53" |
| Dimension G | 37 | 56 | 75 | 75 | 118 | 133 | 174 |
| | 1.46" | 2.20" | 2.95" | 2.95" | 4.65" | 5.24" | 6.85" |
| Dimension H | 7 | 11 | 13 | 13 | 17 | 22 | 26 |
| | 0.28" | 0.43" | 0.51" | 0.51" | 0.67" | 0.87" | 1.02" |